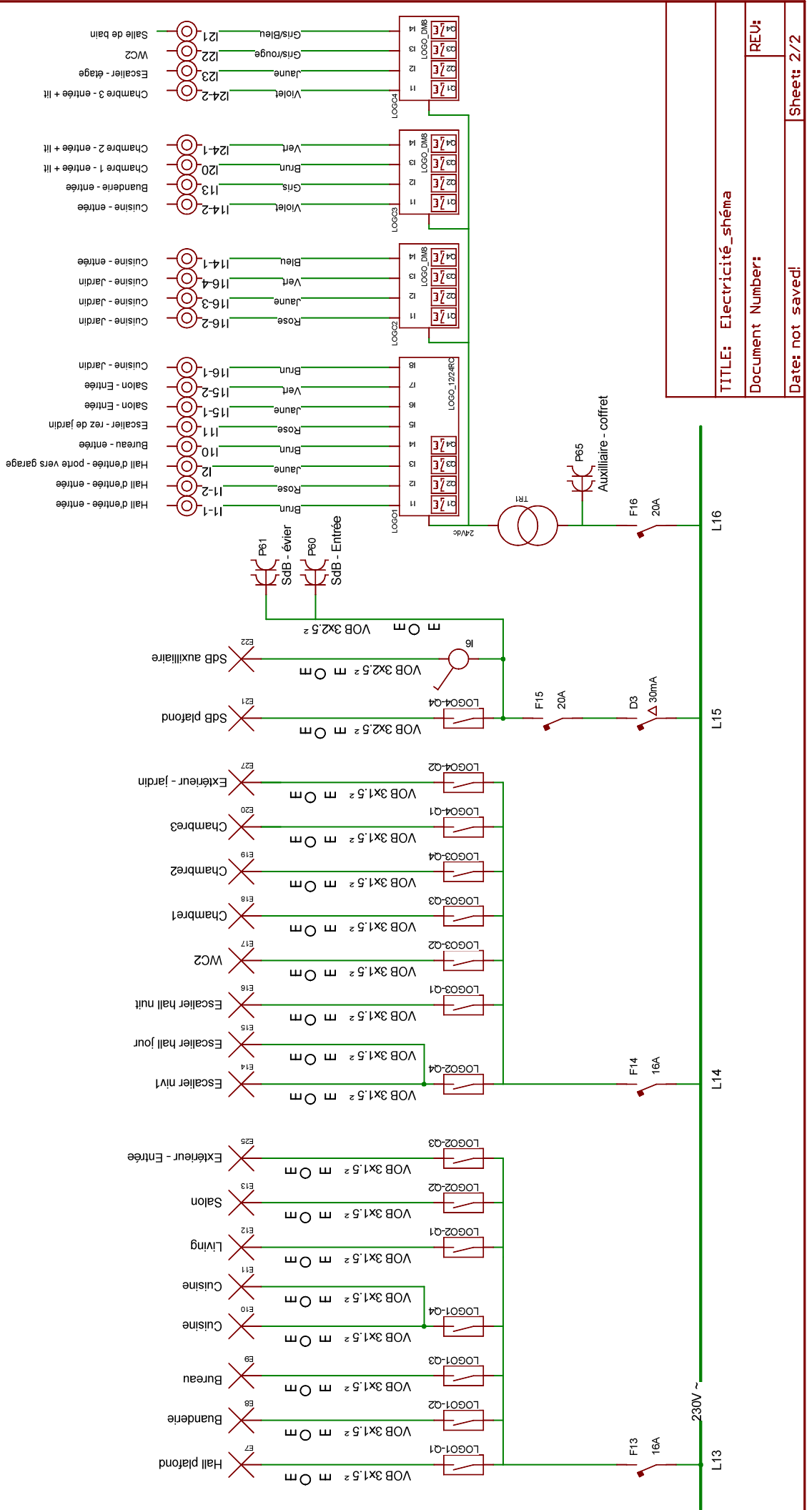


TITLE: Electricité_shéma
 Document Number:
 Date: not saved!



TITLE: Electricité_shéma

Document Number:

REV:

Date: not saved

Sheet: 2/2